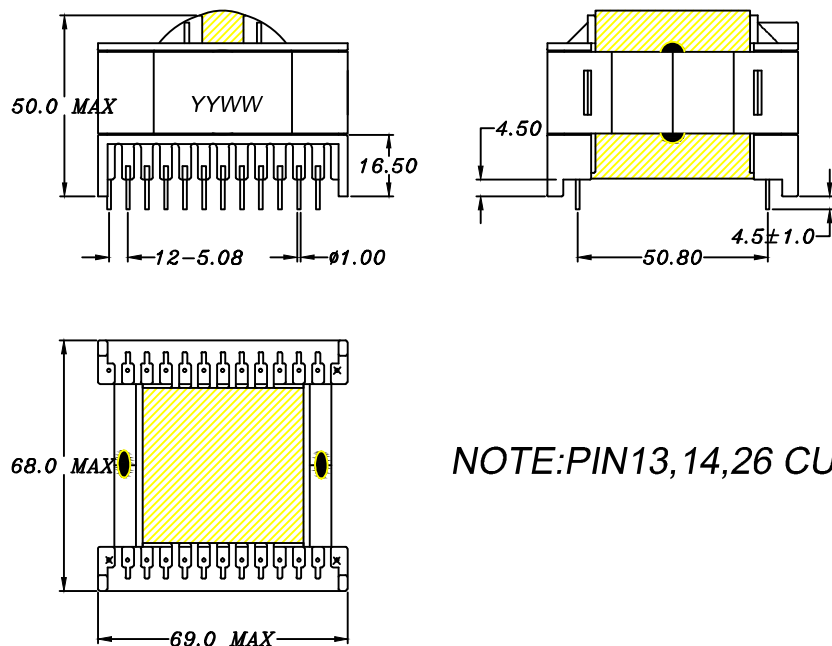


CUSTOMER TERMINAL	ROHS	Lead (Pb) -free
	YES	YES

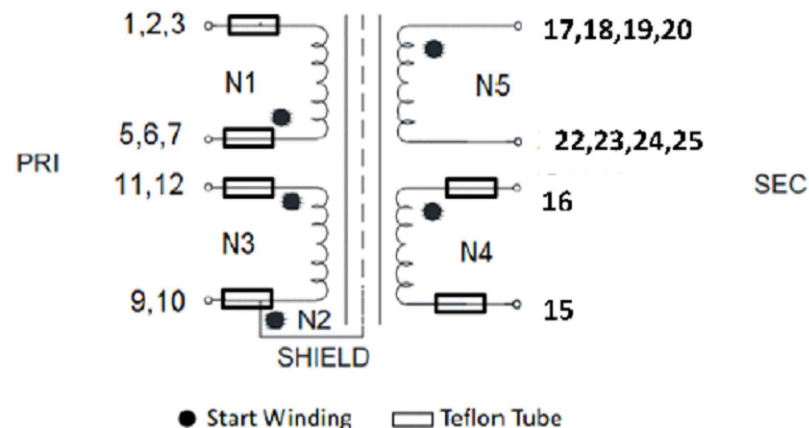


1. Mechanical Dimensions



NOTE: PIN13,14,26 CUT OFF

2. Schematic Diagram



3. Material List

Core:FW40-ETD59
 Bobbin:FWB5901
 Copper foil:
 Wire:LITZ
 EPOXY:E500
 Varnish: T-4260

4. Electrical Specification

Inductance: $L(5,6,7-1,2,3)=22.39mH \pm 10\%$ 1KHZ 1V
 HI-pot: P,S-core AC1600V50HZ2mA2s
 P-S AC1600V50HZ2mA2s

REV.	DATE	 Convention Placement	DRW.	Drawing Title: TRANSFORMER Customer P/N:	Part No:
0	09/18		CHK.		FWPT ETD59H 222K
RoHS		www.ferriwo.com	APP.		Specification Sheet 1 of 1